



**INSTALLATION
OPERATION AND SERVICE MANUAL
FRM30...-X1 SERIES
AIR CURTAIN**

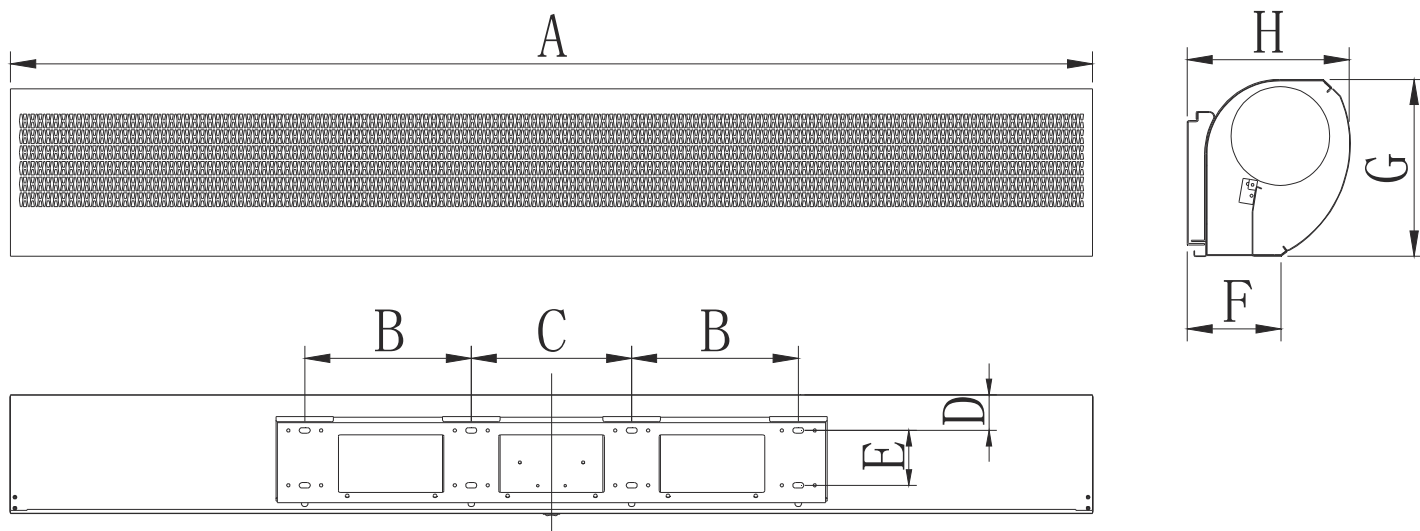


2010 V.1.0

1、 PRODUCT INTRODUCTION

As one of the new top-class products for modern decoration, air curtain is also matched with the air-conditioner. And it is installed at the entrances of supermarket, theater, meeting room, hotel, office room, working shop and storeroom to prevent the dust, mosquito and nocuous air, and so on.

2、 IDENTIFICATION & INSTALLATION DIMENSIONS

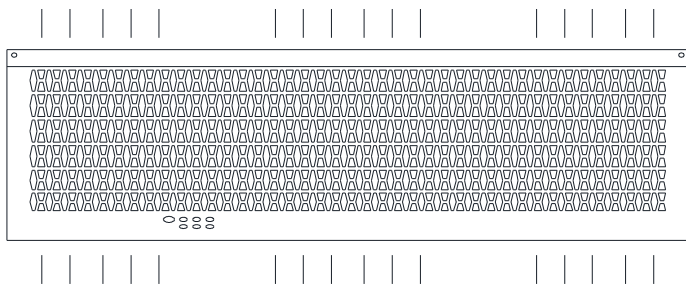


MODEL	A	B	C	D	E	F	G	H
FRM-3009-3D06/Y-X1	915	-	505	66.5	115	109	215	189
FRM-3012-3D08/Y-X1	1210	-						
FRM-3015-3D10/Y-X1	1500	-						

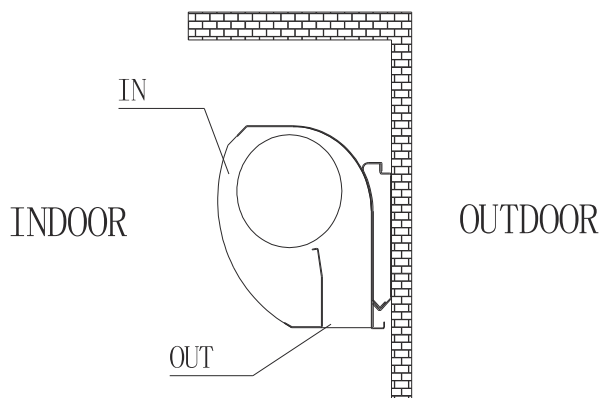
3、 INSTALLATION CAUTION

Must follow the following asking when installing air curtain:

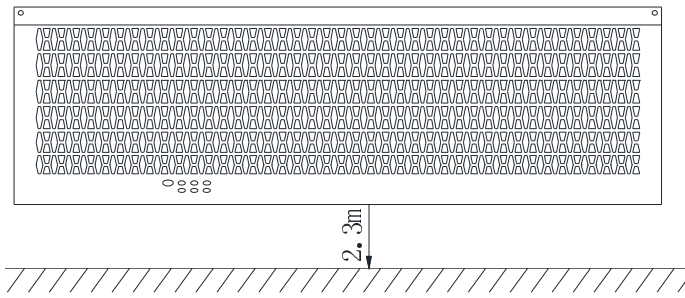
3.1 Please install the unit in a sturdy place to avoid the shaking and ensure its security (because it maybe causes the wall becoming flexible or shaking and noise.



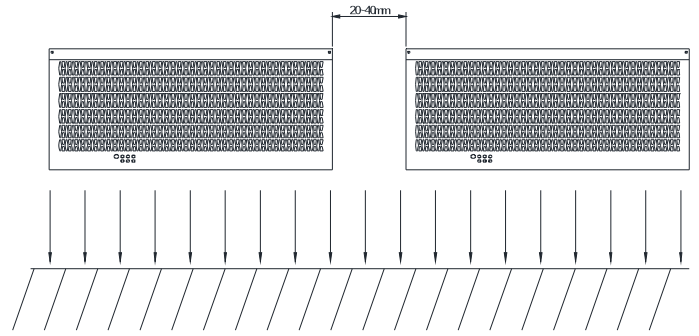
3.2 Please install the unit inside the room.



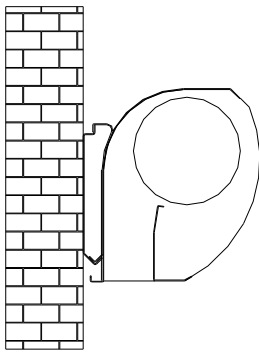
3.3 Don't install the unit too low, no less than 2.3 meter from the ground.



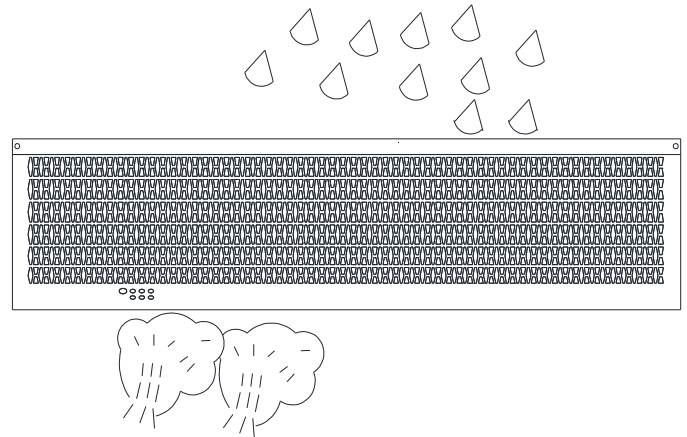
3.4 When the entrance is wider than the unit, it is recommended to install two or more units in parallel. In this case, provide 20-40mm gaps between the units.



3.5 Don't allow gaps between the unit and the wall. When hanging it from the ceiling, using the enclosed ceiling brackets.



3.6 Don't install the unit in a place where it is splashed by water, exposed to excessive steam, explosive gas or corrosive gas.

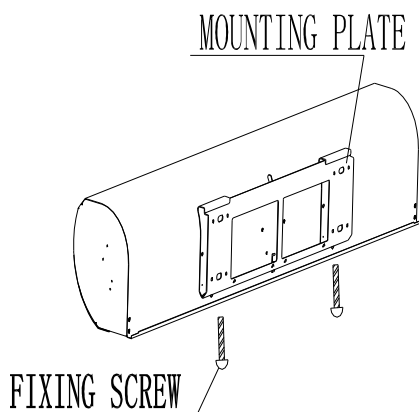


4、INSTALLATION

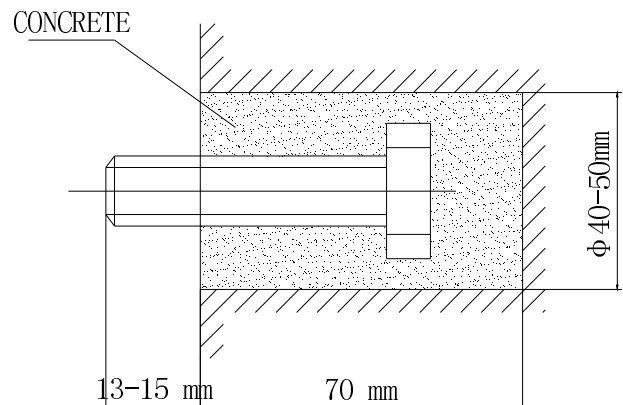
A、Installing on the concrete wall:

4.1.1 Removed the mounting plate

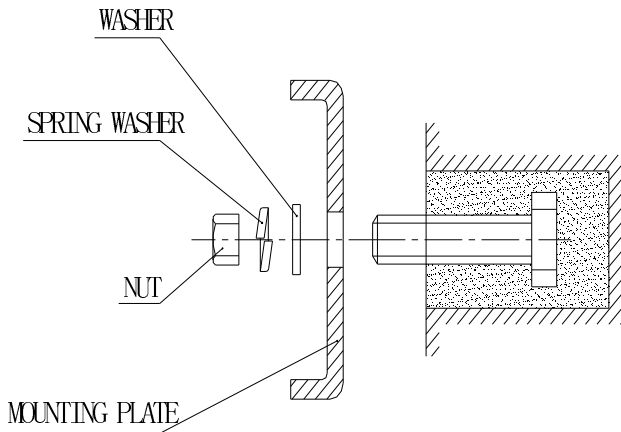
Unclamping the fixed screws on the back of main body to removed the mounting plate.



4.1.2 Fix the bolts in the proper position (Decide the position with the mounting plate and pour cement into the bolt holes.)

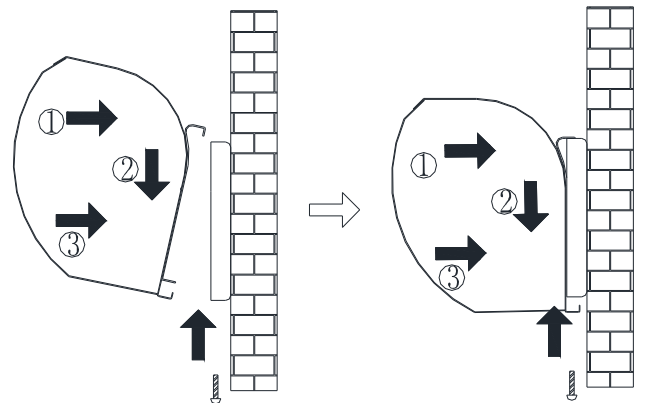


4.1.3 When the cement has freeze, fit the mounting plate (use the washer and nut according to the following)



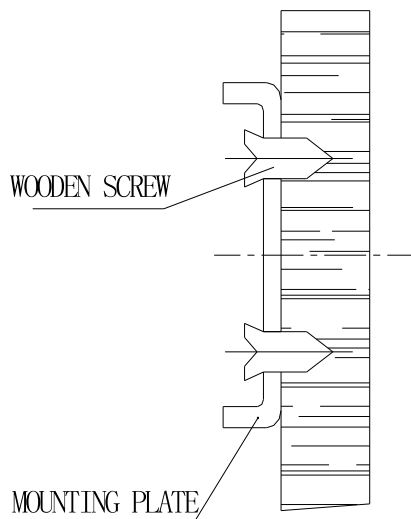
4.1.4 Install the main body

Set the main body onto the upper end of the mounting plate and clamp it as shown.

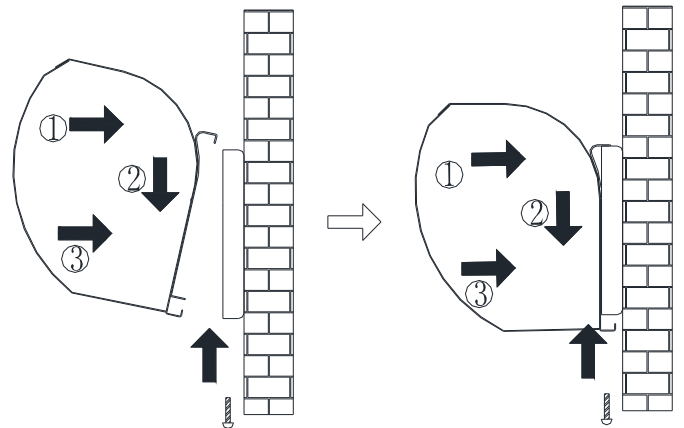


B、Installing on the wooden wall

4.2.1 Fix the mounting plate in the proper positions with tapping screw.

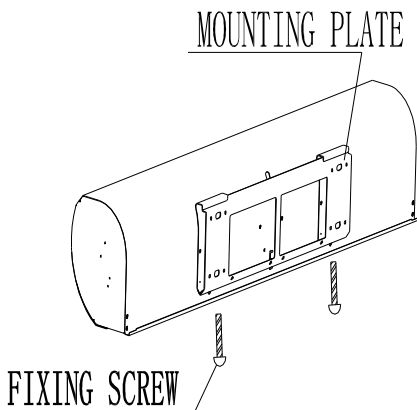


4.2.2 Same as the step 4 of A



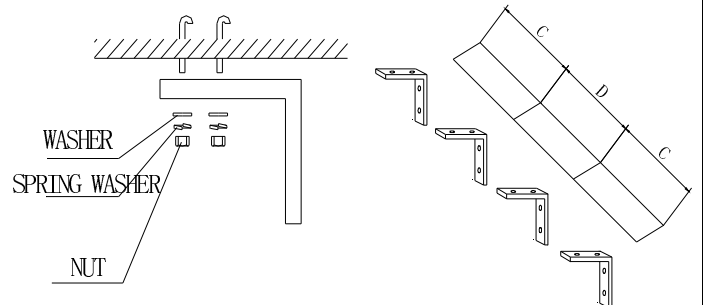
C、Hanging from the ceiling

4.3.1 Remove the mounting plate from main body (Same as step 5.1.1)

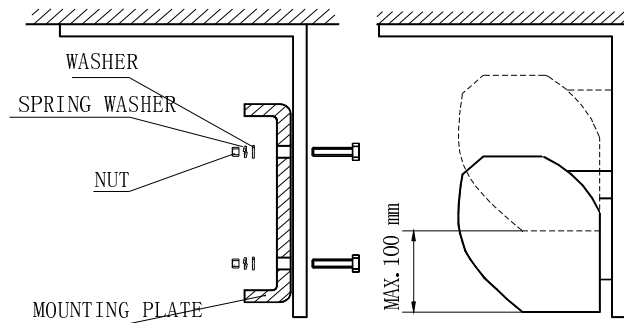


4.3.2 Fixing ceiling brackets as Fig.

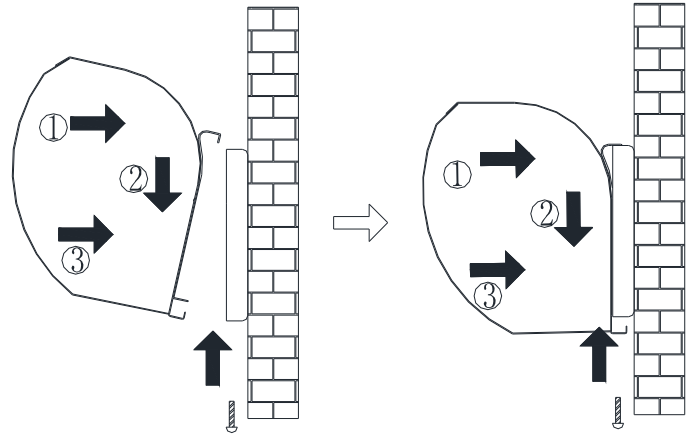
(optional parts)



4.3.3 Set the mounting plate on the ceiling brackets and ensure safe & fixing (use the bolts attached to the ceiling brackets as Fig. Using the ceiling brackets to hang from the ceiling, the position of mounting plate can be adjusted in the limit of 100mm.



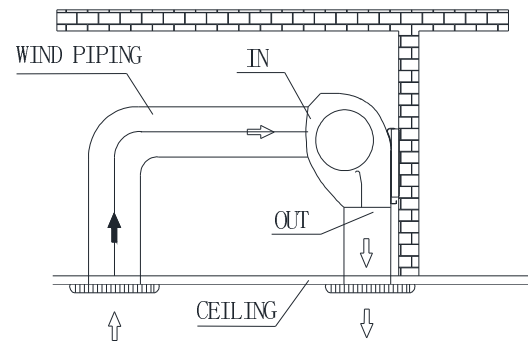
4.3.4 Do the same as step A to install the main body.



D、 For above ceiling

4.4.1 Fix the air curtain as in the procedure for installing on the concrete wall.

4.4.2 Then pipe as right Fig. Instructs.



5、 TECHNICAL PARAMETER

THREE PHASES

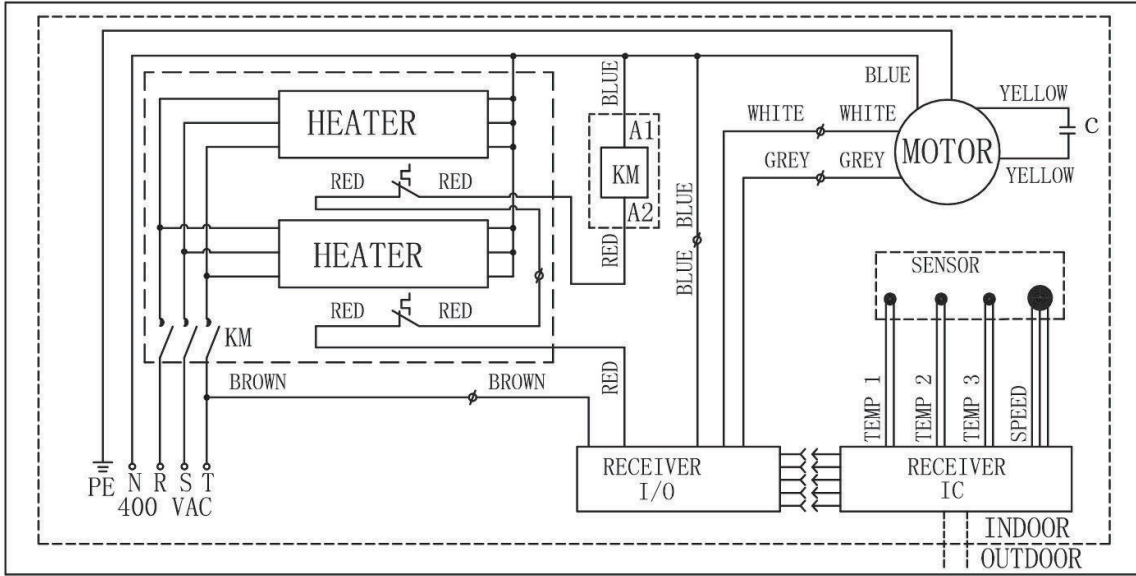
MODEL	Diam Of Wheel (mm)	Volt. /Freq. (V~/Hz)	Motor power (W)	Heater power (KW)	Temp (K)	Max. air speed (m/s)	Air volume (m ³ /h)	Net weight (Kg)	Dimension (mm)
FRM-3009-3D06/Y-X1	120	380~415/ (50-60)	155	6	22	8.5	1500	13	915X189X215
FRM-3012-3D08/Y-X1			200	8			2100	16	1210X189X215
FRM-3015-3D10/Y-X1			235	10			2700	19	1500X189X215

6、 LINE SIZE

LINE SIZE

ITEM \ POWER	THREE PHASES (380V~ MAIN LINE:R、S、 T、 N)		
	HEATER POWER (KW)	6	8
MAIN LINE (mm ²)	1.5	2.5	2.5
EARTH LINE (mm ²)	1.5	2.5	2.5




7、 NOTE: forbid overload to operation for a long time!






8 OPER






8.1 INDICATOR ON AIR CURTAIN PANEL

- 8.1.1  ----Power button, indicator
- 8.1.2  ----Air curtain button, indicator
- 8.1.3  ---- Heating button, indicator

8.2. BUTTON ON THE AIR CURTAIN

-  : Power on/off
-  : Air speed setting.
-  : Heating on/off

BUTTON ON REMOTE CONTROLLER


-  : Power on/off
-  : Air speed setting.
-  : Heating on/off

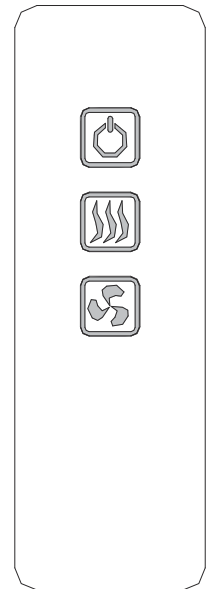
8.3. INTRUCTIONS


8.3.1 FITTING BATTERY


- 8.3.1.1 Push the battery cover as indicated by the arrow.
- 8.3.1.2 Place two 7# alkaline battery inside, make sure the anode and cathode are correct.
- 8.3.1.3 Push back the battery cover.


8.3.2 COOL AIR MODE


- 8.3.2.1 Press the "" button, the power indicator is on, the fan working status indicator is on and air curtain operate at the maximum air speed.



8.3.3.2 Press the "" button to switch the air speed you need.

8.3.3.3 Press the "" button, on the air curtain the heating indicator is on, on the remote controller the heating indicator is on, then the air curtain operating at heating mode.

8.3.3.4 Press the "" button again, the heating indicator goes out, the heating indicator on remote control goes out, then the air curtain stops heating.

8.3.3.5 Press the "" button again, when the air curtain is on the heating mode, the heating indicator is off, and the air curtain power indicator flashes. After the air curtain runs for 1 minute, the fan stops working and the indicator is off; when the air curtain is in the non-heating state when the air curtain stops working, the indicator goes out.

8.4 EXTENDED FUNCTIONS

8.4.1 ADD DOOR SWITCH CONNECTION PORT (use with door switch)

8.4.1.1 COOL AIR MODE

When the door is closed, the air curtain stops running, the power indicator is on, and the air curtain working status indicator goes out; when the door is opened again, the air curtain works in the state set at the last shutdown and the corresponding indicators are on.

8.4.1.2 HEATING MODE

8.4.1.2.1 When the door is closed and the air curtain is in the heating mode, the air curtain stops heating, the heating indicator is off, and the air curtain working indicator flashes. After the air curtain runs for 1 minute, the fan stops working, the power indicator is on, and the fan working indicator goes out; when the door is opened again, the air curtain works in the state set at the last shutdown and the corresponding indicators are on.

8.4.1.2.2 When the door is closed and the air curtain is in a non-heating mode, the air curtain stops running, the power indicator is on, and the fan working status indicator goes out; when the door is opened again, the air curtain works in the state set at the last shutdown and the corresponding indicators are on.

9 CAUTIONS

9.1 Use the unit at the rate voltage and frequency indication on the nameplate.

9.2 Disconnect power source before unit operation.

9.3 Routing maintenance must be done every year.

9.4 Never use petrol, benzene, thinner or any other such chemical for clearing the unit.

9.5 Don't allow water or anything enter the motor.

9.6 When power supply comes from socket, the plug must accord with IEC335-1. When the power cord is connected with charging line directly, all polarity switches that the contact gap is 3mm at least must be installed in the charging line.



Manufacturer/Gyártó: Guangzhou Ruilong Electrical Appliance Ltd.
East Side of Hua Chen Market, Hua Shan Town
Hua Du District, Guangzhou, China

Importer/Importőr: Columbus Klímaértékesítő Kft.
H-2142 Nagytarcsa, Pesti út 15